

- GB -



Environment and recycling

Please help us to protect the environment by disposing of the packaging in accordance with the national regulations for waste processing.

Recycling of obsolete appliances

Appliances with this label must not be disposed off with the general waste. They must be collected separately and disposed off according to local regulations.

- RO -



Mediul inconjurator si reciclarea

Pentru a contribui la protectia mediului, va cerem sa colectati in mod corect materialele utilizate pentru ambalare.

Dezmembrarea aparatelor uzate

Aparatele care poarta semnul evidentiat in partea dreapta nu trebuie aruncate impreuna cu deseurile urbane, ele trebuie colectate si dezmembrate separat. Dezmembrarea si colectarea aparatelor uzate se va face in conformitate cu legile in vigoare.

- NL -



Milieu en recycling

Wij verzoeken u ons bij de bescherming van het milieu behulpzaam te zijn. Verwijder de verpakking daarom overeenkomstig de voor de afvalverwerking geldende nationale voorschriften.

Recycling van oude toestellen

Toestellen met dit kenmerk horen niet thuis in de vuilnisbak en zijn apart in te zamelen en te recyclen. De recycling van oude toestellen moet steeds vakkundig en volgens de ter plaatse geldende voorschriften en wetgeving plaats vinden.

- F -



Environnement et recyclage

Nous vous demandons de nous aider à préserver l'environnement. Pour ce faire, merci de vous débarrasser de l'emballage conformément aux règles nationales relatives au traitement des déchets.

Collecte et recyclage des produits en fin de vie

Les appareils munis de ce symbole ne doivent pas être mis avec les ordures ménagères, mais doivent être collectés séparément et recyclés. La collecte et le recyclage des produits en fin de vie doivent être effectués selon les dispositions et les décrets locaux.

- D -



Entsorgung von Altgeräten in Deutschland

Geräte mit dieser Kennzeichnung gehören **nicht** in die Restmülltonne und sind getrennt zu sammeln und zu entsorgen.

Die Hersteller sorgen im Rahmen der Produktverantwortung für eine umweltgerechte Behandlung und Verwertung der Altgeräte.

Im Rahmen des Elektro- und Elektronikgerätegesetzes (ElektroG) und zum Schutz unserer Umwelt ist eine **kostenlose Rückgabe bei Ihrer kommunalen Sammelstelle** möglich.

- E -



Medio ambiente y reciclaje

Ayúdenos a proteger el medio ambiente eliminando el embalaje con arreglo a la legislación nacional sobre tratamiento de residuos.

Eliminación de aparatos viejos

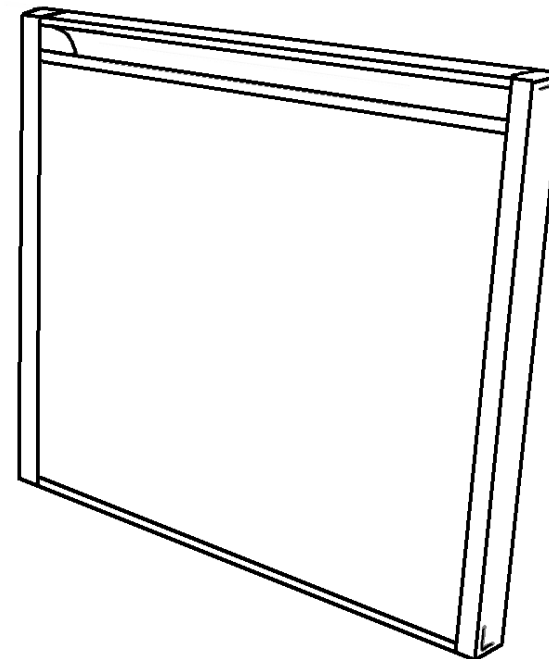
No tirar los aparatos que lleven esta identificación junto con la basura no clasificada. Se deben recoger y eliminar de forma especial. La eliminación de aparatos viejos se debe realizar de forma adecuada y competente, de acuerdo con las normas y leyes locales vigentes.

Str. Cerbului nr. 2, 540075, Tirgu-Mures, Mures, Romania
Mobil: 0748-035.494 | Fax: 0365-816.060
Email: office@infrapanel.ro | Web: www.infrapanel.ro

INFRA PANEL
SISTEME ECOLOGICE DE ÎNCĂLZIRE

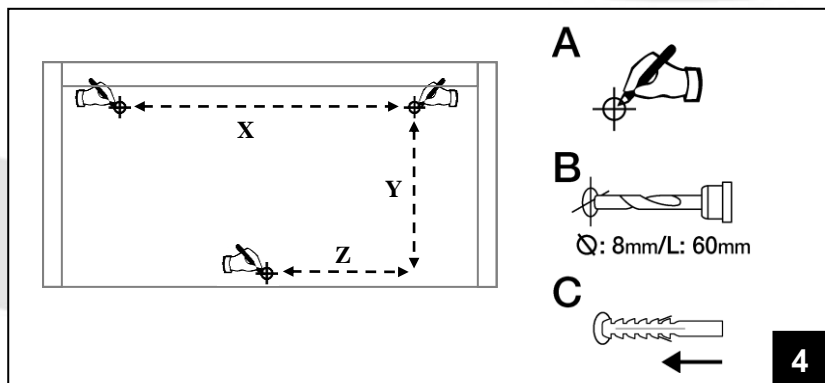
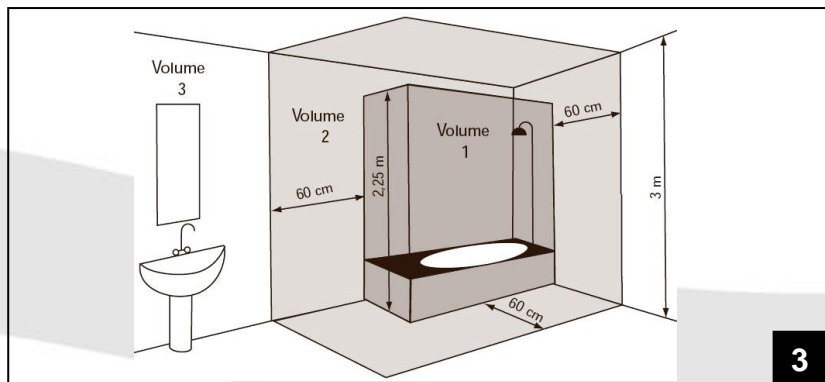
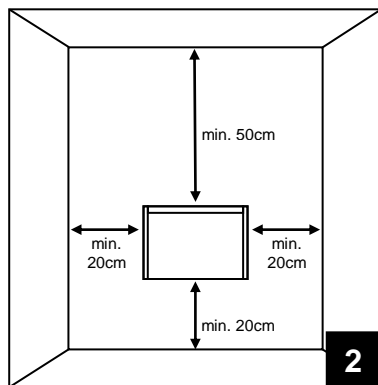
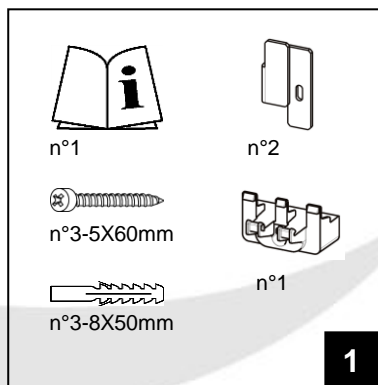


PLANO



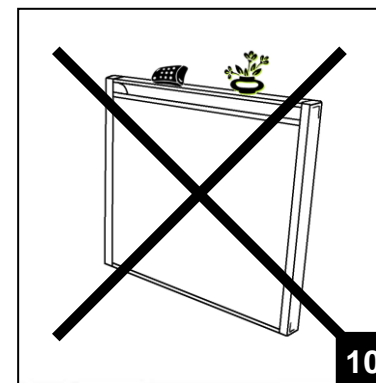
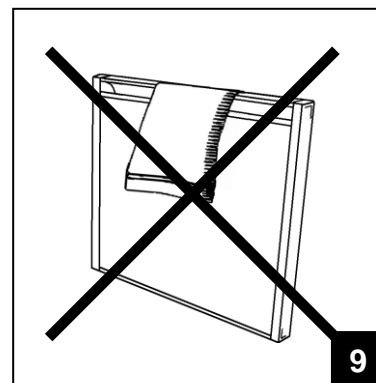
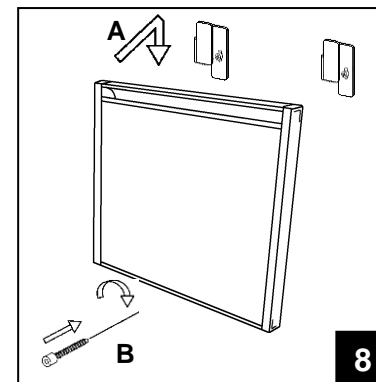
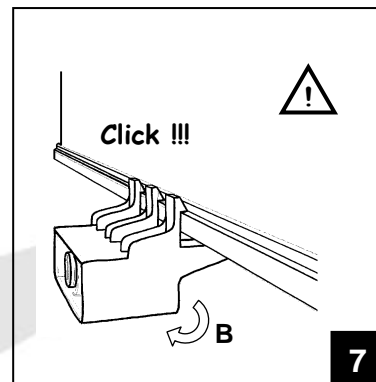
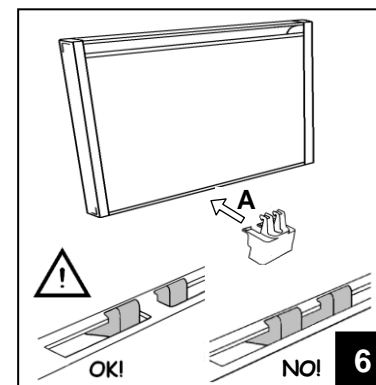
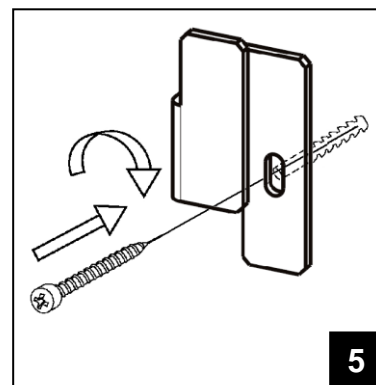
- Please retain these instructions in a safe place for future reference.
- Va rugam puneti aceste instructiuni la loc sigur pentru consultari ulterioare.
- Bewaar deze gebruiksaanwijzing zorgvuldig voor toekomstig gebruik.
- Conserver cette notice pour toute consultation ultérieure.
- Es wird gebeten, diese Gebrauchsanleitung für ein zukünftiges Nachschlagen sorgfältig aufzubewahren.
- Conservar las instrucciones de uso.

PLANO_5/270608



Str. Cerbului nr. 2, 540075, Tîrgu-Mureş, Mureş, România
 Mobil: 0748-035.494 | Fax: 0365-816.060
 Email: office@infranel.ro | Web: www.infranel.ro

INFRA PANEL
 SISTEME ECOLOGICE DE ÎNCĂLZIRE



ENGLISH

OPERATING INSTRUCTIONS

Before operating the heater, please read these instructions thoroughly to avoid damage and hazardous situations. Any use of this heater other than that stipulated in this instruction manual may cause fire, electric shock or injury, and voids all warranties.

Warranty does not apply to any defect, deterioration, loss, injury or damage caused by, or as a result of, the misuse or abuse of this heater. The rights dictated by State law are not prejudiced. None of the terms of this warranty are to be taken as excluding any conditions or warranties implied by State law, which cannot be excluded or modified.

Before any operation remove the packaging and check product integrity. In case of defects or damages do not try to repair it yourself but contact your dealer.

Do not let children play with the packaging and protect the environment by disposing of the packaging in accordance with the national regulations for waste processing.

1. Your product

- Other than the heater you have chosen the package includes (picture 1):
 - N° 2 metal brackets for wall mounting;
 - N° 1 plastic brackets for wall mounting;
 - N° 3 nylon plug expansion 8x50mm;
 - N° 3 5x60mm cross head screws to fix wall brackets;
- Refer to your dealer if something is broken or missing.

2. For your safety

- Make sure that the mains power supply matches the rated input: 230V AC, 50Hz.
- Never allow animals or children to play with or touch the product. Attention! The panel may become very hot while it is working (approximately 80°C = 176°F);
- WARNING: In order to avoid overheating, do not cover the heater.** Do not hang anything on the heater and do not cover it while it's working. This is clearly written on the cover of the product or shown by the symbol



- This product may not be used by people (children included) with reduced physical, sensorial or mental capacities, or with inadequate experience and knowledge, unless they are under the supervision of a person responsible for their safety or have been suitably instructed by the latter. Children must be supervised to ensure they do not play with the product.
- To prevent overheating, never cover the product inappropriately (pictures 9 and 10).
- Do not use the product in rooms saturated with explosive gas, vapours generated by solvents or paints or flammable vapours/gas.
- If the cable and/or plug are damaged, do not repair them yourself but take the product to the technical service or a qualified repair centre and have them repaired by specialised personnel in order to avoid any risk of damage.
- Always position the product so that the plug is immediately accessible.
- Never position this appliance immediately underneath a power socket.

3. Safe positioning

Str. Cerbului nr. 2, 540075, Tirgu-Mures, Mures, Romania
Mobil: 0748-035.494 | Fax: 0365-816.060
Email: office@infrapanel.ro | Web: www.infrapanel.ro

INFRA PANEL
SISTEME ECOLOGICE DE ÎNCĂLZIRE



- Only use the product in its horizontal position;
- This product is fitted with a double electrical insulation circuit (class II) and therefore does not require an earth connection;
- Always make observe the minimum distances from walls, furniture and/or objects, as indicated in picture 2.
- Never install the product on a surface made from wood or synthetic material.
- This product is water resistant to IP24. It may therefore be used in bathrooms or other areas subject to humidity provided it is never installed within the perimeter of bathtubs or showers (Volume 1 of figure 2).
- It must never be possible for people in the bath tub or shower to reach the adjustment knobs.

4. Installation

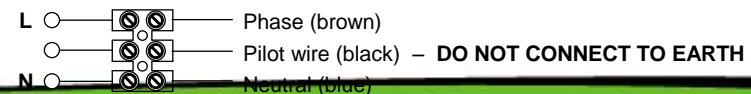
- After carefully reading section 3, proceed with installation following the sequence shown in figures 4 to 8.
- Distances indicated in picture 4 are:

Model	X (mm)	Y (mm)	Z (mm)
PLANO45	Min 270 - Max 340	535	165
PLANO65	Min 400 - Max 500	535	265
PLANO95	Min 600 - Max 800	535	463

- Placing metal wall brackets keep in mind that the right bracket must be located in the lodging realised in the control box of the product. Warning: if you do not respect this instruction the product may be instable!**
 - If installation becomes complicated due to the imperfect alignment of the holes, adjust the position of the wall brackets by loosening the screw a little and moving the connector vertically.
 - Fixing the lower bracket(s) in a different position compared to above reported distances is not recommended! Placing bracket(s) in a different position may endanger product resistance to knocks. Always mind to insert the lower bracket(s) between two following openings and never totally inside only one to prevent side movements (picture 6).

5. Electrical connections






- The product must be powered at a voltage of 230V AC 50Hz.
- The product must be supplied with a cable and plug or with a cable for installation. If a product with plug is installed in France, connect it to the mains power supply by cutting off the plug and using a suitable connection box.
- If the product is supplied with a cable for installation, connect it to the mains power supply using a 3-wire cable (Brown=Live, Blue=Neutral, Black=Pilot wire) and a connection box. **If you do not wish to use the pilot wire functions, just connect the phase and the neutral wires: the product will work correctly even without the external programmer.**
- In bathrooms, kitchens or other humid areas, install the connection terminal at least 25cm off the floor.
- The electrical connection to the mains power supply must also include a 2-pole switch with a minimum contact aperture of 3mm. As a priority, always abide your national wiring rules.
- It is forbidden to connect the appliance to the earth circuit. **DO NOT CONNECT THE PILOT WIRE (BLACK) TO THE EARTH CIRCUIT.**
- If the product is powered through a 30mA differential switch, make sure the pilot wire is also controlled by the differential switch.



6. Using the product



- The product is fitted with a main on/off pushbutton (A), a slider to select desired working function (B), a slider to set wished temperature (C) and a led showing the operating status (D).
- The main pushbutton (A) controls the supply of the entire product. When switched on the internal electronics is ready to be used. In case you have the optional remote control we suggest to use this button only in case you will not use the product for a long period, in all other cases is preferable to use the selector (B). Switching off the product by the pushbutton (A) causes, after about 3 hours of internal autonomy, the loss of time/day information blocking the programmed functioning until further data input.
- The main pushbutton (A) deactivates the product apart of any possible input coming from the pilot wire.
- Slider selector (B) allows to select between one of the following working set:

-  **STAND-BY**
The product is supplied but heating elements are disconnected.
-  **COMFORT**
The product is supplied and works depending on the temperature set with the slider (C).
-  **ECO**
The product is supplied and works depending on the temperature set with the slider (C) decreased of 3,5°C.
-  **FROST-FREE**
The product is supplied and thermostat set is electronically forced to 7±3°C (independently of temperature set with the slider (C)).
-  **PROG**
Functioning depends on inputs coming from the pilot wire (black) or from the optional remote control.

- The thermostat (C) maintains the required ambient temperature by automatically turning the appliance on and off. The more the knob is moved to the right, the higher the temperature will be. The highest position of the thermostat corresponds to approximately 30°C, the bottom one to about 10°C.
To set optimum combination between room temperature and power consumption a specific range of the thermostat has been highlighted as "comfort".
In case you need a frost free selection we suggest to use the function selector (B) and set it to the "☼" position, without moving the thermostat (C) to the minimum.
- The indicator led (D) gives different information by changing the way it lights on and exactly:
 - The light is on and red when the product is heating to reach desired temperature;
 - The light is on and yellow if the desired temperature has been reached and the product is ready to operate to comfortably maintain it to the desired value;

Str. Cerbului nr. 2, 540075, Tîrgu-Mureş, Mureş, România
Mobil: 0748-035.494 | Fax: 0365-816.060
Email: office@infrapanel.ro | Web: www.infrapanel.ro

INFRA PANEL
SISTEME ECOLOGICE DE ÎNCĂLZIRE




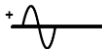
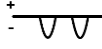
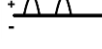
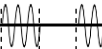
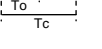
- The light continuously flashes in red colour if temperature electronic sensor is broken. The product must be repaired by an authorised service only;

Using the thermostat

- In a room with a temperature in excess of 30°C, the thermostat does not turn on the appliance even if it is at maximum.
- Vice-versa, in a room with a very low temperature (below 10°C), the thermostat keeps the heater constantly on, even if it is at minimum.
- To optimise use of the thermostat, proceed as follows:
 - set the thermostat (C) to maximum and wait until a comfortable temperature is reached;
 - move the thermostat (C) to the left until functioning led (D) turns yellow;
 - move the thermostat (C) to the right for a couple of millimetres;
 - in this position, the thermostat will maintain the selected ambient temperature.

Using the pilot wire

- If the product is fitted with a power cable without plug, it can also be controlled with specific programmers. The behaviour of the product depends on the voltage applied between the pilot wire and the neutral wire, as shown in the following table:

ORDER RECEIVED	WAVE SHAPE	MODE	HEATING TEMPERATURE
NO SIGNAL		COMFORT	TEMPERATURE SET BY THERMOSTAT
COMPLETE ALTERNATING SIGNAL		ECO	3°C LOWER THAN THE TEMPERATURE SET BY THE THERMOSTAT
NEGATIVE ALTERNATING SIGNAL SEMI WAVE		ANTIFREEZE	TEMPERATURE MAINTAINED AT APPROX. 7°C
POSITIVE ALTERNATING SIGNAL SEMI WAVE		STOP	THE APPLIANCE IS SWITCHED OFF
CYCLICAL EMISSION OF A COMPLETE ALTERNATING SIGNAL Tc=300S To=3S		1°C REDUCTION	1°C LOWER THAN THE TEMPERATURE SET BY THE THERMOSTAT
CYCLICAL EMISSION OF A COMPLETE ALTERNATING SIGNAL Tc=300S To=7S		2°C REDUCTION	2°C LOWER THAN THE TEMPERATURE SET BY THE THERMOSTAT

- Note: the STOP input signal on the pilot wire will switch off the product even if the mode selector is NOT in the "PROG" mode.**

Using the remote (optional)

- The optional remote control allows to set a "comfort" or "eco" temperature for each hour of the day, all days independently.
- Operating mode could be easily switched from the remote to the pilot wire and vice-versa.

- With just one remote it is possible to transmit the same program to all the products of this series you have installed. All details about programming are included in the instruction manual of the remote control.

Str. Cerbului nr. 2, 540075, Tîrgu-Mureş, Mureş, România
Mobil: 0748-035.494 | Fax: 0365-816.060
Email: office@infrapanel.ro | Web: www.infrapanel.ro



7. What to do in case of malfunctions

- In the event of overheating, the safety device on the appliance automatically disables the heating elements.
- The product will resume automatic operation as soon as the temperature returns below the safety limit.
- Attention: the functioning led will not be switched off by the operation of the safety device.

i If you notice irregular operation, damage to the heating panel or to the structure of the appliance, disconnect the product from the mains power supply and contact your technical assistance centre or dealer.

8. Maintenance

- This product does not require any special maintenance.
- Clean the product, especially the heating panel, with a dry cloth once every 6 months.
- If the product requires repairing, contact an authorised technical service centre.
- When replacing the power cable, use a 2x1.00mm² or 3x1.00mm² H05VV-F HAR type, depending on the version. This operation, for cables both with and without plugs, must be performed by qualified personnel and never by the end user in order to avoid damaging the appliance and jeopardising personal safety.

ROMANA

INSTRUCTIUNI DE UTILIZARE

Va rugam sa cititi cu atentie aceste instructiuni inainte de a utiliza produsul, pentru a evita eventualele daune sau situatii periculoase. Orice utilizare a produsului altfel decat este indicat in acest manual poate cauza incendii sau raniri si anuleaza garantia.

Garantia nu se aplica in cazul oricaror defecte, deteriorari, pierderi, loviri sau daune datorate utilizarii incorecte a produsului. Raman in vigoare toate drepturile garantate de lege. Nici o conditie de garantie nu poate exclude sau modifica conditiile de garantie reglementate prin legile statului care nu pot fi in nici un mod modificate sau excluse.

Inainte de orice operatiune, indepartati cu grija ambalajul si controlati integritatea produsului. In cazul in care se observa defecte sau lovituri, nu instalati si nu incercati sa reparati aparatul, contactati furnizorul.

Nu lasati ambalajul la indemana copiilor si separati-l in parti componente in conformitate cu legile in vigoare.

1. Produsul dumneavoastra

- Produsul este furnizat impreuna cu (figura 1):
 - Doi suporti metalici pentru instalare pe perete;
 - Distanțier de plastic;
 - 3 dibluri din nylon 8x50;
 - 3 suruburi pentru piulite 5x60;
- Daca produsul prezinta lovituri sau lipsesc accesoriile contactati imediat furnizorul.

2. Pentru siguranta dumneavoastra

- Asigurati-va ca alimentarea de la retea corespunde cu datele de pe eticheta: 230VAC, 50Hz
- Nu lasati niciodata animalele sau copiii sa se joace sau sa atinga produsul. Atentie! In timpul functionarii panoul poate deveni foarte cald (cca 80 C = 176 F);
- IMPORTANT: pentru a evita supraincalzirea nu acoperiti niciodata produsul.** Nu asezati niciodata obiecte sau haine pe aparat in timpul functionarii. Acest lucru este clar scris pe aparat sau ilustrat de simbolul



- Acest produs nu trebuie utilizat de persoane (inclusiv copii) cu capacitati fizice, senzoriale sau mentale reduse sau cu experienta si cunostinte inadecvate, care nu sunt sub supravegherea unei persoane responsabile pentru siguranta lor sau care nu sunt instruite adecvat de catre o astfel de persoana. Copiii trebuie supravegheati pentru a va asigura ca nu se joaca cu aparatul.
- Pentru evitarea supraincalzirii nu acoperiti niciodata in mod nepotrivit aparatul (fig.9 sau 10).
- Nu utilizati produsul in camere in care exista gaze explozive, vapori generati de solventi si vopsele sau orice vapori/gaze inflamabile.
- Daca stecherul sau cablul sunt deteriorate si trebuie reparate, nu efectuati dumneavoastra aceasta operatiune singuri, raportati problema la centrul de asistenta tehnica sau unui centru de reparatie calificat, deoarece este necesara interventia persoanelor specializate evitandu-se astfel orice risc.
- Produsul trebuie pozitionat astfel incat priza de alimentare sa fie in pozitie accesibila.
- Nu asezati niciodata aparatul chiar dedesubtul unei prize de curent electric.

Str. Cerbului nr. 2, 540075, Tirgu-Mures, Mures, România
Mobil: 0748-035.494 | Fax: 0365-816.060
Email: office@infranel.ro | Web: www.infranel.ro

INFRA PANEL
SISTEME ECOLOGICE DE ÎNCĂLZIRE



3. Pozitionare sigura

- Utilizati produsul numai in pozitie orizontala.
- Aparatul este construit cu dubla izolare electrica (clasa II) deci nu este necesara impamantarea;
- Atentie la respectarea distanțelor minime fata de pereti, mobile sau obiecte (fig.2)
- Nu instalati niciodata produsul pe suprafete de lemn sau din material sintetic.
- Aparatul are grad de protectie la apa IP24. Poate fi utilizat in bai si in spatii umede dar niciodata in perimetrul cazii sau dusului (volumul 1 din figura 3).
- Butoanele de reglare nu trebuie in nici un caz sa fie accesibile de catre persoanele care se afla in cada sau dus

4. Installazione

- Dupa ce ati citit cu atentie avertizarile de la paragraful 3 puteti incepe fixarea respectand pasii din figurile de la 4 la 8.
- Valorile din figura 4 sunt:

Model	X (mm)	Y (mm)	Z (mm)
PLANO45	Min 270 - Max 340	535	165
PLANO65	Min 400 - Max 500	535	265
PLANO95	Min 600 - Max 800	535	463

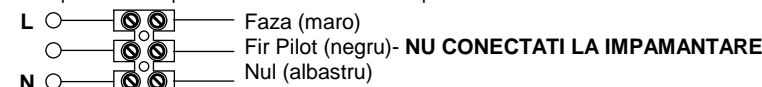
! - Pentru pozitionarea suportilor tineti intotdeauna seama de faptul ca suportul dreapta trebuie obligatoriu introdus in spatiul special destinat din interiorul cutiei de comanda a produsului. Atentie: o pozitionare diferita poate face produsul instabil.

- Daca montajul devine complicat datorita aliniamentului imperfect al gaurilor, reglati pozitia suportilor desuruband usor suruburile si miscand in plan vertical.

- Este nerecomandata pozitionarea suportului inferior in pozitie diferita de cea mai sus indicata. Pozitionarile diferite pot compromite rezistenta produsului la socuri. In orice caz introduceti intotdeauna suportul intre doua fante consecutive si niciodata in interiorul unei singure deschideri pentru a se impiedica miscarile laterale ale produsului.

5. Legaturile electrice

- Produsul trebuie alimentat cu tensiunea 230V AC 50Hz
- Produsul poate fi furnizat cu cablu si stecher sau doar cu cablu pentru instalare.
- Cand produsul este dotat cu cablu de alimentare, legarea trebuie efectuata utilizand trei fire: Maro: Faza, Albastru: Nul, Negru: Fir pilot si o cutie de conexiuni. **Daca nu se doreste utilizarea functionalitatii firului pilot limitati-va la legarea fazei si nulului: produsul va functiona corect si fara prezenta programatorului extern.**
- In spatii umede, in bai sau bucatarii, conexiunea de legatura trebuie instalata la minim 25 cm de pardoseala.
- Legatura electrica la retea trebuie sa fie prevazuta cu un intrerupator bipolar la o distanta minima de deschidere intre contacte de minim 3 mm. Respectati intotdeauna in mod prioritar regulile de instalare in vigoare din tara dumneavoastra.
- Legarea la pamant este interzisa. **NU LEGATI LA IMPAMANTARE FIRUL PILOT (NEGRU).**
- Daca produsul trebuie alimentat prin intermediul unui intrerupator diferential de siguranta de 30mA, se poate ca firul pilot sa fie sub controlul intrerupatorului diferential.



6. Utilizarea produsului



D C B A

- Aparatul este dotat cu un intrerupator general (A), un selector pentru alegerea functiei dorite (B), o comanda pentru reglarea temperaturii ambientale (C) si un led luminos de functionare (D).
- Intrerupatorul general (A) controleaza alimentarea intregului aparat: cand actionam butonul, controlul electronic este gata pentru a putea fi utilizat. In cazul utilizarii telecomenzii optionale este recomandata oprirea acestui intrerupator numai cand se prevede neutilizarea produsului pentru perioade lungi. Este de preferat sa se actioneze selectorul (B) in toate celelalte cazuri deoarece actionarea intrerupatorului (A) duce, dupa o autonomie de 3 ore, la pierderea informatiilor aferente unei zile compromitandu-se astfel functionarea programata.
- Intrerupatorul general (A) dezactiveaza produsul independent de orice comanda transmisa prin intermediul firului pilot.
- Selectorul de functionare (B) permite alegerea unuia dintre urmatoarele moduri de functionare::



STAND-BY

Produsul este alimentat electric dar elementele incalzitoare sunt dezactivate.



CONFORT

Produsul este alimentat electric si functioneaza in conformitate cu temperatura selectata de (C).



ECO

Produsul este alimentat si functioneaza in conformitate cu temperatura fixata cu selectorul (C) si este diminuat cu 3,5 grade C.



ANTI-GEL

Produsul este alimentat si temperatura termostatului este fortata la 7+/-3gradeC independent de pozitia selectorului (C).



PROG

Functionarea este reglata de impulsurile aplicate firului pilot (negru) sau de programarea transmisa prin intermediul telecomenzii optionale.

- Termostatul (C) mentine temperatura ambientala dorita pornind si oprind automat aparatul. Cu cat selectorul se muta catre dreapta cu atat temperatura asigurata va fi mai ridicata. Pozitia maxima a termostatului corespunde temperaturii de cca 30 gradeC iar cea minima cca 10 gradeC. Pentru alegerea unei combinatii optime intre temperatura ambientala si consumul energetic a fost evidentiata o zona specifica de reglare denumita "confort". Cand dorim sa folosim produsul pentru protectia anti-inghet se recomanda sa nu pozitionam selectorul (C) la minim dar sa se actioneze direct comanda (B) fixand functia "❄".
- Ledul (D) furnizeaza diverse informatii de functionare in functie de modalitatea de pornire adica:
 - Ledul este aprins si are culoarea rosie cand produsul se afla in faza de incalzire pentru a ajunge la temperatura ambientala dorita.
 - Ledul este aprins si are culoarea galbena cand temperatura ambientala dorita a fost atinsa si aparatul este pregatit sa incalzeasca pentru mentinerea confortului.
 Ledul clipeste pe culoarea rosie cand senzorul electronic al temperaturii este defect. Aparatul trebuie reparat la un centru de asistenta calificat.

Utilizarea termostatului

- Intr-o camera unde temperatura depaseste 30gradeC este normal ca termostatul, chiar pozitionat la maxim, sa nu porneasca aparatul. Invers, intr-o camera cu temperatura foarte joasa sub 10 grade (C) este normal ca termostatul sa mentina aparatul pornit tot timpul, chiar pozitionat la minim.
- Pentru reglarea optima a termostatului recomandam urmatoarea procedura:

Str. Cerbului nr. 2, 540075, Tirgu-Mures, Mures, România
 Mobil: 0748-035.494 | Fax: 0365-816.060
 Email: office@infrapanel.ro | Web: www.infrapanel.ro

INFRA PANEL
 SISTEME ECOLOGICE DE ÎNCĂLZIRE



- pozitionati termostatul (C) la maxim si lasati aparatul sa functioneze pana la atingerea unei temperaturi confortabile;
- mutati selectorul catre stanga pana cand ledul (D) nu devine galben;
- miscati cativa milimetri selectorul(C) catre dreapta;
- in aceasta pozitie termostatul va mentine temperatura ambientala aleasa.

Utilizarea firului pilot

- Daca este dotat cu un cablu de conexiune fara stecher aparatul poate fi comandat prin intermediul unor programatori specifici. Comportamentul produsului depinde de tensiunea aplicata intre firul pilot si nul in functie de tabelul de mai jos:

COMANDA PRIMITA	FORMA UNDA	MOD FUNCTIONARE	TEMPERATURA DE INCALZIRE
ABSENTA SEMNAL		CONFORT TEMPERATURA FIXATA DE	TERMOSTAT
ALTERNANTA COMPLETA		ECO REDUCEREA CU 3 C FATA DE	TEMPERATURA FIXATA PE TERMOSTAT
SEMIUNDA NEGATIVA A SEMNALULUI ALTERNAT		ANTI-GEL MENTINEREA TEMPERATURII	LA 7 GRADE
SEMIUNDA POZITIVA A SEMNALULUI ALTERNAT		OPRIRE	APARATUL ESTE OPRIT
EMISIE CICLICA A UNUI SEMNAL ALTERNAT COMPLET Tc=300S To=3S		REDUCERE CU 1gradC	REDUCERE CU 1gradC FATA DE TEMPERATURA FIXATA PE TERMOSTAT
EMISIE CICLICA A UNUI SEMNAL ALTERNAT COMPLET Tc=300S To=7S		REDUCERE CU 2gradEC	REDUCERE CU 1gradC FATA DE TEMPERATURA FIXATA PE TERMOSTAT

- Semnalul de oprire aplicat firului pilot provoaca oprirea aparatului chiar daca selectorul nu este in pozitie "PROG".

Utilizarea telecomenzii (optionala)

- Telecomanda optionala permite definirea unei temperature "confort" sau "eco" de functionare pentru fiecare ora a zilei si pentru fiecare zi a saptamanii.
- Modalitatea de functionare poate fi schimbata usor din telecomanda in fir pilot si viceversa.
- Cu o singura telecomanda este posibila transmiterea aceleiasi programari la toate aparatele achizitionate; Toate informatiile detaliilor de programare sunt furnizate impreuna cu telecomanda.

7. Siguranta in cazul functionarii anormale

- In caz de supraincalzire sistemul de protectie al aparatului dezactiveaza automat elementele incalzitoare.
 - Aparatul va intra in functiune automat imediat ce temperatura a scazut sub limitele de siguranta.
 - Atentie: interventia protectiei termice nu determina stingerea ledului de functionare.
- i** Daca observati o functionare anormala, deteriorarea panoului incalzitor a structurii aparatului, scoateti aparatul din priza si contactati serviciul de asistenta autorizat.

8. Intretinere

- Acest produs nu necesita o intretinere particulara
- Va recomandam sa curatati produsul la fiecare 6 luni si in mod particular panoul incalzit cu o carpa uscata.
- Daca este necesara repararea produsului contactati un centru de asistenta autorizat.
- Daca trebuie inlocuit cablul de alimentare trebuie sa folositi in mod obligatoriu un cablu tip 2x1 mmp 3x1mmp H05VV-F HAR in functie de versiunea achizitionata. Aceasta operatiune, pentru cablurile dotate cu stecher sau nu, trebuie efectuata de personal calificat si niciodata de utilizator pentru a preveni orice risc de deteriorare sau pericol posibil.

Str. Cerbului nr. 2, 540075, Tirgu-Mures, Mures, Romania
Mobil: 0748-035.494 | Fax: 0365-816.060
Email: office@infrapanel.ro | Web: www.infrapanel.ro

INFRA PANEL
SISTEME ECOLOGICE DE ÎNCĂLZIRE



FRANÇAIS

MODE D'EMPLOI

Avant d'utiliser le radiateur, lisez attentivement les instructions afin d'éviter tout danger ou d'utilisation inappropriée de l'appareil. Toutes utilisations autres que celles décrites dans cette notice seront considérées comme dangereuses et risquent de causer des incendies, des chocs électriques ou des blessures et ne seront pas couverts par la garantie.

La garantie ne s'applique pas en cas de défaut, détérioration, dommages causés en raison d'un usage impropre ou d'un abus dans l'utilisation du radiateur. Vous pouvez disposer de droits reconnus par la loi de votre pays. Aucune disposition de la présente garantie ne peut avoir pour effet d'exclure quelque garantie ou droit reconnu d'ordre public par la législation de votre pays.

Avant toute opération, otez l'emballage du produit et vérifiez si l'appareil n'est pas endommagé. En cas de défaut, de choc ou de dommage, n'essayez pas de réparer l'appareil vous-même et contactez votre revendeur.

Ne laissez pas les enfants jouer avec les emballages et protégez l'environnement en jetant les cartons et les calages dans les endroits appropriés pour le recyclage.

1. Votre appareil

- Dans le carton de l'appareil, vous devez trouver :
 - 2 fixation métalliques pour la fixation au mur;
 - 1 fixation plastique pour la fixation au mur;
 - 3 cheville à expansion en nylon 8x50mm
 - 3 vis 5x60mm
- Contactez votre revendeur s'il vous manque des pièces.

2. Pour votre sécurité

- Cet appareil est un radiateur, qui ne doit servir qu'à cette fonction.
- Vérifiez si la tension du secteur est la même que celle de l'appareil. 230V AC, 50Hz.
- Ne laissez jamais les enfants ou les animaux domestiques toucher ou jouer avec l'appareil. Attention ! Lorsque l'appareil est en fonction, le panneau est parfois très chaud (80°C = 176°F env.)
- ATTENTION : afin d'éviter toute surchauffe, ne couvrez pas l'appareil.** Il est clairement inscrit sur l'appareil NE PAS COUVRIR ou le symbole ci dessous



- Cet appareil n'est pas prévu pour être utilisé par des personnes (y compris enfants) dont les capacités physiques, sensorielles ou mentales sont réduites, ou des personnes dénuées d'expérience ou de connaissance, sauf si elles ont pu bénéficier, par l'intermédiaire d'une personne responsable de leur sécurité, d'une surveillance ou d'instruction préalable concernant l'utilisation de l'appareil
- Pour éviter le risque de surchauffe, ne recouvrez jamais l'appareil de façon impropre (image 9 et 10).
- N'utilisez pas cet appareil dans des atmosphères saturées en gaz explosifs, en vapeurs produits par des solvants ou des peintures, ni en vapeurs/gaz inflammables.
- Si le câble d'alimentation est endommagé, il doit être changé par le fabricant, son service de maintenance ou une personne de qualification similaire afin d'éviter un danger.
- Placez l'appareil de façon à ce que la prise de courant soit toujours accessible.

- ❑ Ne placez jamais cet appareil juste en-dessous d'une prise de courant.

3. Emplacement sûr

- ❑ N'utilisez l'appareil qu'en position verticale.
- ❑ L'appareil dispose d'une double isolation électrique (classe II) et ne nécessite donc d'aucune mise à la terre.
- ❑ Ne montez jamais l'appareil sur des surfaces en bois ou en matériaux synthétiques.
- ❑ L'appareil a un degré d'imperméabilité IP24. Vous pouvez donc l'utiliser dans les salles de bains et les pièces humides mais vous ne devez jamais l'installer dans le périmètre des baignoires ou des douches (Volume 1 de la figure 2).
- ❑ Les appareils de chauffage susceptibles d'être utilisés dans les salles de bains doivent être installés de façon telle que les interrupteurs et autres dispositifs de commandes ne puissent pas être touchés par une personne qui se trouve dans la baignoire ou la douche.



4. Installation

- ❑ Lisez avec attention les avertissements du paragraphe 3 ci-dessus avant de procéder à la fixation en suivant les instructions illustrées par les figures 4 à 8.
- ❑ Les distances indiquées dans la figure 4 sont :

Modèle	X (mm)	Y (mm)	Z (mm)
PLANO45	Min 270 - Max 340	535	165
PLANO65	Min 400 - Max 500	535	265
PLANO95	Min 600 - Max 800	535	463

- ❑ placez les fixations murales en gardant à l'esprit qu'elles doivent se loger dans la rainure située sur l'arrière de l'appareil (dont une fixation dans le boîtier de commande) ATTENTION : si vous ne placez pas correctement les fixations, l'appareil peut être instable.
- ❑ Si le montage s'avère difficile à cause du mauvais alignement des trous, ajustez la position des fixations murales en dévissant légèrement la vis et en déplaçant la fixation verticalement.
- ❑ Installez la fixation plastique inférieure de façon cohérente avec les fixations supérieures (à mi-distance environ par rapport aux deux autres fixations supérieures) Une mauvaise installation de la fixation plastique peut altérer la résistance au choc de votre radiateur. Insérer la fixation dans l'emplacement prévu à cet effet (voir figure 6).

5. Branchements électriques

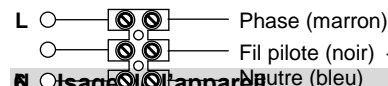
- ❑ L'appareil doit être alimenté en 230V AC 50 Hz.
- ❑ L'appareil peut être fourni avec un câble muni de fiche ou d'un câble pour installation. Si l'appareil muni de fiche doit être installé en France, pour effectuer le branchement électrique sur le secteur il vous faut couper la fiche et utiliser une boîte de connexion adéquate.
- ❑ Si l'appareil est fourni avec un câble pour installation, effectuez le branchement avec un câble à 3 fils (Marron= Phase, Bleu = Neutre, Noir = Conducteur pilote) et une boîte de connexion. **Si vous ne voulez pas utiliser les fonctionnalités du fil pilote, il vous suffit de brancher la phase et le neutre. L'appareil fonctionnera correctement même sans programmeur extérieur. IL EST RECOMMANDÉ DE FAIRE INTERVENIR UN ELECTRICIEN PROFESSIONNEL OU TOUT AUTRE PERSONNE AYANT LES QUALIFICATIONS NECESSAIRES POUR L'INSTALLATION**
- ❑ Dans les pièces humides, les salles de bains ou les cuisines, installez la borne de branchement à 25 cm minimum du sol.
- ❑ Le branchement électrique sur le secteur doit aussi prévoir un interrupteur bipolaire, avec une distance minimum d'ouverture entre les contacts de 3 mm.
- ❑ Le branchement à la terre est interdit. **NE PAS BRANCHER LE FIL PILOTE (NOIR) À LA TERRE.**

Str. Cerbului nr. 2, 540075, Tîrgu-Mureş, Mureş, România
 Mobil: 0748-035.494 | Fax: 0365-816.060
 Email: office@infrapanel.ro | Web: www.infrapanel.ro

INFRA PANEL
 SISTEMĂ ECOLOGICĂ DE ÎNCĂLZIRE



- ❑ Si l'appareil piloté est protégé par un différentiel 30mA (ex : salle de bain), il est nécessaire de connecter l'alimentation du fil pilote sur ce différentiel.



NE PAS BRANCHER LE FIL PILOTE (NOIR) A LA TERRE



- ❑ L'appareil est muni d'un bouton interrupteur (A); d'un sélecteur pour choisir le mode de fonctionnement (B), d'un curseur pour la température d'ambiance souhaitée (C) et d'un témoin lumineux indiquant le type de fonctionnement de l'appareil (D).
- ❑ le bouton principal (A) contrôle l'alimentation électrique de l'appareil. En position appuyée, l'appareil est prêt à fonctionner. Dans le cas d'une utilisation de l'appareil avec la télécommande (en option), nous vous conseillons d'utiliser ce bouton qu'en cas de période de non-utilisation prolongée, sinon il est préférable d'utiliser seulement le sélecteur (B). Si le bouton interrupteur (A) est éteint, après 3 heures, la programmation est perdue.
- ❑ Dans le cas où le bouton (A) est désactivé, l'appareil ne peut pas être contrôlé par le fil pilote.
- ❑ Le sélecteur (B) permet de choisir les modes suivants :

- ☰ Mode VEILLE
L'appareil est sous tension mais ne chauffe pas.
- ☀ CONFORT
L'appareil est sous tension et fonctionne selon la position du curseur (C) de contrôle de température.
- ☾ ECO
L'appareil est sous tension et fonctionne selon la position du curseur (C) en diminuant la température de 3.5°C
- ❄ HORS GEL
L'appareil est sous tension, le thermostat est programmé électroniquement sur 7±3°C (indépendamment du curseur (C)).
- 🕒 PROG
Le fonctionnement dépend de la programmation établie soit par le fil pilote (noir) soit par la télécommande (en option)..

- ❑ Le thermostat (C) maintient la température ambiante souhaitée en contrôlant les périodes de chauffe de l'appareil. Plus le curseur est placé vers la droite, plus la température sera élevée. La position la plus forte du thermostat (à droite) correspond à peu près à 30°C, et la plus basse (à gauche) à 10°C. Afin de choisir la position optimale entre la température de la pièce souhaitée et la consommation électrique de l'appareil, une plage de réglage « confort » a été inscrite sur le curseur (C). Dans le cas où vous avez besoin d'une position hors gel, nous vous conseillons d'utiliser le sélecteur de fonction (B) et choisir le mode ❄ sans changer le thermostat (C), ni le mettre au minimum.
- ❑ Le témoin lumineux (D) s'allume de différentes façons afin de donner des informations sur le fonctionnement de l'appareil :
 - La lumière est allumée en rouge quand l'appareil chauffe pour atteindre la température souhaitée.


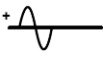
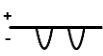
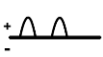
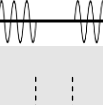
- La lumière est allumée en jaune quand la température souhaitée est atteinte et que l'appareil est prêt à réguler sa puissance pour maintenir la température.
- Le témoin clignote en rouge pour indiquer que la sonde de température est défectueuse. L'appareil doit être réparé par le service technique de votre revendeur ou par celui du fabricant seulement.

Usage du thermostat

- Dans une pièce où la température dépasse 30°C il est normal que le thermostat, même réglé sur le maximum, ne mette pas l'appareil en fonction.
- Vice et versa, dans une pièce où la température est trop basse (au-dessous de 5°C) il est normal que le thermostat maintienne sans arrêt l'appareil allumé, même s'il est réglé au minimum.
- Pour régler correctement le thermostat nous vous conseillons de procéder de la sorte :
 - réglez le thermostat (C) sur le maximum et faites fonctionner l'appareil jusqu'à ce que la température ambiante soit confortable ;
 - faites glisser le curseur du thermostat vers la gauche jusqu'à ce que le témoin lumineux (D) devienne jaune.
 - faites encore glisser légèrement (2mm) le curseur du thermostat (C) vers la droite ;
 - dans cette position le thermostat maintiendra la température ambiante que vous avez choisie.

Usage du fil pilote

- Si l'appareil est muni d'un câble de connexion dépourvu de fiche, il peut être aussi commandé par des programmeurs spéciaux. Le comportement de l'appareil dépend de la tension appliquée entre le conducteur pilote et le conducteur neutre, conformément au tableau suivant :

ORDRES REÇUS	OSCILLOSCOPE Réf/Neutre	MODE OBTENU	TEMPÉRATURE DE CHAUFFAGE
ABSENCE DE SIGNAL		CONFORT	TEMPÉRATURE CONFIGURÉE PAR LE THERMOSTAT
SIGNAL ALTERNATIF COMPLET 230V		ECO	ABAISSEMENT DE 3°C PAR RAPPORT À LA TEMPÉRATURE CONFIGURÉE PAR LE THERMOSTAT
SEMI-ONDE NÉGATIVE DU SIGNAL ALTERNATIF		HORS GEL	MAINTIEN DE LA TEMPÉRATURE À ENVIRON 7°C
SEMI-ONDE POSITIVE DU SIGNAL ALTERNATIF		STOP	L'APPAREIL EST ÉTEINT
EMISSION CYCLIQUE D'UN SIGNAL ALTERNATIF COMPLET Tc=300S To=3S		CONFORT - 1°C	ABAISSEMENT DE 1°C PAR RAPPORT À LA TEMPÉRATURE CONFIGURÉE PAR LE THERMOSTAT

To
Tc

EMISSION CYCLIQUE D'UN SIGNAL ALTERNATIF COMPLET Tc=300S To=7S		CONFORT - 2°C	ABAISSEMENT DE 2°C PAR RAPPORT À LA TEMPÉRATURE CONFIGURÉE PAR LE THERMOSTAT
--	--	---------------	--

- NOTE : le signal STOP du fil pilote éteindra l'appareil quelque soit son mode sélectionné avec le sélecteur (B)

Str. Cerbului nr. 2, 540075, Tîrgu-Mureş, Mureş, România
 Mobil: 0748-035.494 | Fax: 0365-816.060
 Email: office@infrapanel.ro | Web: www.infrapanel.ro

INFRA PANEL
 SISTEME ECOLOGICE DE ÎNCĂLZIRE



Utilisation de la télécommande (en option) :

- La télécommande optionnelle permet de sélectionner des modes « confort » et « éco » pour chaque heure de la journée et chaque différent jour de la semaine.
- Le mode de programmation peut facilement se commuter entre le fil pilote et la télécommande.
- Avec une seule télécommande, il est possible de contrôler tous les appareils installés dans la maison avec le même programme ou avec un programme adapté à chaque pièce. Tous les détails d'utilisation de la télécommande sont décrits avec précision dans le manuel de la télécommande.

7. Sécurité en cas de fonctionnement anormal

- En cas de surchauffe le système de protection de l'appareil désactive automatiquement l'élément chauffant et interrompt ainsi le fonctionnement de l'appareil.
- L'appareil recommence à fonctionner automatiquement dès que la température superficielle descend au-dessous de la limite de sécurité.
- Attention : le témoin lumineux ne sera pas éteint par le système de protection de l'appareil.



Si vous remarquez que le fonctionnement est anormal, que le panneau chauffant ou le châssis de l'appareil sont endommagés, débranchez l'appareil de la prise de courant et adressez-vous au service après-vente ou à votre revendeur.

8. Entretien

- Cet appareil n'a besoin d'aucun entretien particulier.
- Nous vous recommandons de nettoyer l'appareil tous les 6 mois, en particulier le panneau chauffant, à l'aide d'un chiffon sec.
- Si l'appareil doit être réparé, adressez-vous à un service après-vente.
Si vous devez remplacer le câble d'alimentation n'oubliez que vous devez obligatoirement utiliser un câble de, 2 x 1.00 mm² H05VV-F HAR ou 3 x 1.00 mm² H05VV-F HAR selon la version que vous avez achetée. Qu'il s'agisse des câbles munis ou dépourvus de fiche. Si le câble d'alimentation est endommagé, il doit être changé par le fabricant, son service de maintenance ou une personne de qualification similaire afin d'éviter un danger.

Str. Cerbului nr. 2, 540075, Tîrgu-Mureş, Mureş, România
Mobil: 0748-035.494 | Fax: 0365-816.060
Email: office@infrapanel.ro | Web: www.infrapanel.ro

